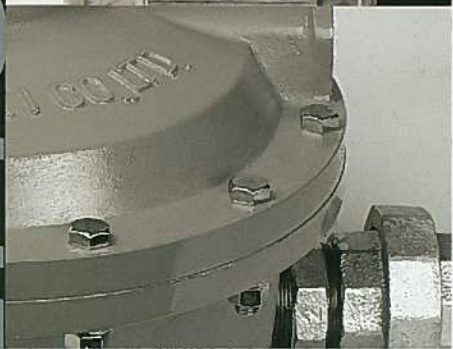
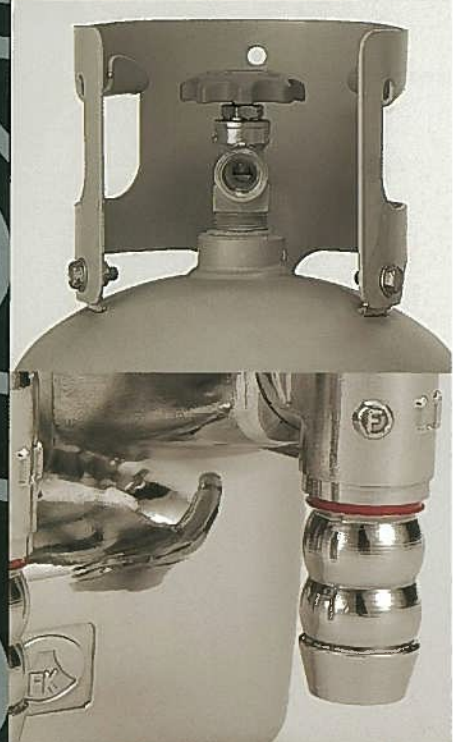
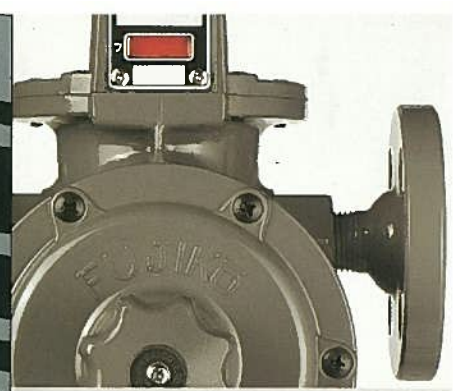


FUJIKOH CATALOGUE



LPガス容器
LPガス機器

FUJIKOH LP GAS
PARTS / INSTRUMENTS CATALOGUE



富士工器株式会社

<http://www.fujikoh-grp.co.jp>

Single Step

RSA5-NS



RSA5-NH



■ Specification

Model	RSA5-NS	RSA5-NH
Capacity (Q)	5kg/h	
Inlet Pressure (P)	10.1 ~ 226.2psi	
Set Pressure (R)	0.4psi	
Outlet Pressure	0.4psi ± 0.07psi	
Max Blockage Pressure	Below 0.5psi	
Inlet Connection	POL Wrench f	POL Handle
Outlet Connection	Rc 1/2	
Dimension (mm)	L=160	

RA6-AS



RA6-AH



■ Specification

Model	RA6-AS	RA6-AH
Capacity (Q)	6.5kg/h	
Inlet Pressure (P)	10.1 ~ 226.2psi	
Set Pressure (R)	0.4psi	
Outlet Pressure	0.4psi ± 0.07psi	
Max Blockage Pressure	Below 0.5psi	
Inlet Connection	POL Wrench f	POL Handle
Outlet Connection	Rc 1/2	
Dimension (mm)	L=160	

RA33



■ Specification

Model	RA33
Capacity (Q)	33kg/h
Inlet Pressure (P)	10.1 ~ 226.2psi
Set Pressure (R)	0.4psi
Outlet Pressure	0.4psi ± 0.07psi
Max Blockage Pressure	Below 0.5psi
Inlet Connection	Rc 1/2
Outlet Connection	1B Union
Dimension (mm)	L=295 ± 5

RA50



■ Specification

Model	RA50
Capacity (Q)	50kg/h
Inlet Pressure (P)	10.1 ~ 226.2psi
Set Pressure (R)	0.4psi
Outlet Pressure	0.4psi ± 0.07psi
Max Blockage Pressure	Below 0.5psi
Inlet Connection	3/4B High Pressure Union
Outlet Connection	1 1/4 B Union
Dimension (mm)	L=365 ± 5

RA70



■ Specification

Model	RA70
Capacity (Q)	70kg/h
Inlet Pressure (P)	10.1 ~ 226.2psi
Set Pressure (R)	0.4psi
Outlet Pressure	0.4psi ± 0.07psi
Max Blockage Pressure	Below 0.5psi
Inlet Connection	3/4B High Pressure Union
Outlet Connection	1 1/4 B Union
Dimension (mm)	L=365 ± 5

RA120



■ Specification

Model	RA120
Capacity (Q)	120kg/h
Inlet Pressure (P)	10.1 ~ 226.2psi
Set Pressure (R)	0.4psi
Outlet Pressure	0.4psi ± 0.07psi
Max Blockage Pressure	Below 0.5psi
Inlet Connection	1 1/2 High Pressure Range
Outlet Connection	2 B Union
Dimension (mm)	L=425 ± 5

RA200



■ Specification

Model	RA200
Capacity (Q)	200kg/h
Inlet Pressure (P)	10.1 ~ 226.2psi
Set Pressure (R)	0.4psi
Outlet Pressure	0.4psi ± 0.07psi
Max Blockage Pressure	Below 0.5psi
Inlet Connection	1 1/2 High Pressure Range
Outlet Connection	2 B Union
Dimension (mm)	L=480 ± 5

Single Step Variable Pressure Type

RA6V-1 · RA6V-2



Specification

Model	RA6V-1	RA6V2
Capacity (Q)	6.5kg/h	
Inlet Pressure (P)	14.5 ~ 226.2psi	
Pressure range	0.29-1.01psi	0.72-1.74psi
Inlet Connection	POL Handle	
Outlet Connection	Rc 1/2	
Dimension (mm)	L=160	

RA20V



Specification

Model	RA20V
Capacity (Q)	20kg/h
Inlet Pressure (P)	14.5 ~ 226.2psi
Pressure range	0.47-1.74psi
Inlet Connection	Rc 1/2
Outlet Connection	1B Union
Dimension (mm)	L=259±5

RA33V



Specification

Model	RA33V
Capacity (Q)	33kg/h
Inlet Pressure (P)	14.5 ~ 226.2psi
Pressure range	0.47-1.74psi
Inlet Connection	Rc 1/2
Outlet Connection	1B Union
Dimension (mm)	L=259±5

RA50V



Specification

Model	RA50V
Capacity (Q)	50kg/h
Inlet Pressure (P)	14.5 ~ 226.2psi
Pressure range	0.47-1.74psi
Inlet Connection	3/4B High Pressure Union
Outlet Connection	1 1/2 Union
Dimension (mm)	L=365±5

RA70V



Specification

Model	RA70V
Capacity (Q)	70kg/h
Inlet Pressure (P)	14.5 ~ 226.2psi
Pressure range	0.47-1.74psi
Inlet Connection	3/4B High Pressure Union
Outlet Connection	1 1/2 Union
Dimension (mm)	L=365±5

Second Stage

RC6



Specification

Model	RC6
Capacity (Q)	6kg/h
Inlet Pressure (P)	3.62 ~ 14.5psi
Set Pressure (R)	0.4psi
Outlet Pressure	0.4psi±0.07psi
Max Blockage Pressure	Below 0.5psi
Inlet Connection	Rc 1/2
Outlet Connection	Rc 1/2
Dimension (mm)	L=146

RC12



Specification

Model	RC12
Capacity (Q)	12kg/h
Inlet Pressure (P)	3.62 ~ 14.5psi
Set Pressure (R)	0.4psi
Outlet Pressure	0.4psi±0.07psi
Max Blockage Pressure	Below 0.5psi
Inlet Connection	Rc 1/2
Outlet Connection	1B Union
Dimension (mm)	L=198±5

RC20



Specification

Model	RC20
Capacity (Q)	20kg/h
Inlet Pressure (P)	3.62 ~ 14.5psi
Set Pressure (R)	0.4psi
Outlet Pressure	0.4psi±0.07psi
Max Blockage Pressure	Below 0.5psi
Inlet Connection	Rc 1/2
Outlet Connection	1B Union
Dimension (mm)	L=259±5

RC33



Specification

Model	RC33
Capacity (Q)	33kg/h
Inlet Pressure (P)	3.62 ~ 14.5psi
Set Pressure (R)	0.4psi
Outlet Pressure	0.4psi±0.07psi
Max Blockage Pressure	Below 0.5psi
Inlet Connection	Rc 1/2
Outlet Connection	1B Union
Dimension (mm)	L=259±5

RC50



Specification

Model	RC50
Capacity (Q)	50kg/h
Inlet Pressure (P)	3.62 ~ 14.5psi
Set Pressure (R)	0.4psi
Outlet Pressure	0.4psi±0.07psi
Max Blockage Pressure	Below 0.5psi
Inlet Connection	3/4B High Pressure Union
Outlet Connection	1 1/2 Union
Dimension (mm)	L=365±5

RC70



Specification

Model	RC70
Capacity (Q)	70kg/h
Inlet Pressure (P)	3.62 ~ 14.5psi
Set Pressure (R)	0.4psi
Outlet Pressure	0.4psi±0.07psi
Max Blockage Pressure	Below 0.5psi
Inlet Connection	3/4B High Pressure Union
Outlet Connection	1 1/2 Union
Dimension (mm)	L=365±5

Regulators

Single Step Variable Pressure type

Regulators

Second Stage

Regulators
Secondary Stage
Variable pressure type

RC120



Specification

Model	RC120
Capacity (Q)	120kg/h
Inlet Pressure (P)	3.62 ~ 14.5psi
Set Pressure (R)	0.4psi
Outlet Pressure	0.4psi±0.07psi
Max Blockage Pressure	Below 0.5psi
Inlet Connection	1 1/2" High pressure Flange
Outlet Connection	2B Union
Dimension (mm)	L=425±5

RC200



Specification

Model	RC200
Capacity (Q)	200kg/h
Inlet Pressure (P)	3.62 ~ 14.5psi
Set Pressure (R)	0.4psi
Outlet Pressure	0.4psi±0.07psi
Max Blockage Pressure	Below 0.5psi
Inlet Connection	1 1/2" High pressure Flange
Outlet Connection	2B Union
Dimension (mm)	L=490±5

Secondary Stage Variable Pressure type

RC6V-1 • RC6V-2



Specification

Model	RC6V-1	RC6V2
Capacity (Q)	6.5kg/h	
Inlet Pressure (P)	4.64 ~ 14.5psi	
Pressure range	0.29-1.01psi	0.72-1.74psi
Inlet Connection	Rc 1/2	
Outlet Connection	Rc 1/2	
Dimension (mm)	L=146	

RC20V



Specification

Model	RC20V
Capacity (Q)	20kg/h
Inlet Pressure (P)	4.64 ~ 14.5psi
Pressure range	0.47-1.74psi
Inlet Connection	Rc 1/2
Outlet Connection	1B Union
Dimension (mm)	L=259±5

RC33V



Specification

Model	RC33V
Capacity (Q)	33kg/h
Inlet Pressure (P)	4.64 ~ 14.5psi
Pressure range	0.47-1.74psi
Inlet Connection	Rc 1/2
Outlet Connection	1B Union
Dimension (mm)	L=259±5

RC50V



Specification

Model	RC50V
Capacity (Q)	50kg/h
Inlet Pressure (P)	4.64 ~ 14.5psi
Pressure range	0.47-1.74psi
Inlet Connection	3/4B High Pressure Union
Outlet Connection	1 1/2" Union
Dimension (mm)	L=365±5

RC70V



Specification

Model	RC70V
Capacity (Q)	70kg/h
Inlet Pressure (P)	4.64 ~ 14.5psi
Pressure range	0.47-1.74psi
Inlet Connection	3/4B High Pressure Union
Outlet Connection	1 1/2" Union
Dimension (mm)	L=365±5

RC33H



Specification

Model	RC33H
Capacity (Q)	33kg/h
Inlet Pressure (P)	10.1 ~ 50.7psi
Pressure range	0.29-5.8psi
Inlet Connection	15A High Pressure Flange
Outlet Connection	15A High Pressure Flange
Dimension (mm)	L=215±5

RC70H



Specification

Model	RC70H
Capacity (Q)	70kg/h
Inlet Pressure (P)	10.1 ~ 50.7psi
Pressure range	0.29-5.8psi
Inlet Connection	20A High Pressure Flange
Outlet Connection	20A High Pressure Flange
Dimension (mm)	L=300±5

RC120H



Specification

Model	RC120H
Capacity (Q)	70kg/h
Inlet Pressure (P)	10.1 ~ 50.7psi
Pressure range	0.29-5.8psi
Inlet Connection	25A High Pressure Flange
Outlet Connection	25A High Pressure Flange
Dimension (mm)	L=390±5

RC200H



Specification

Model	RC200H
Capacity (Q)	200kg/h
Inlet Pressure (P)	10.1 ~ 50.7psi
Pressure range	0.29-5.8psi
Inlet Connection	25A High Pressure Flange
Outlet Connection	25A High Pressure Flange
Dimension (mm)	L=390±5

Regulators
Secondary Stage
Variable pressure type

First Stage Variable Pressure Type

When variable pressure range is above 14.5psi, inlet pressure value should be higher than 29psi.

RD5



Specification

Model	RD5
Capacity (Q)	8kg/h
Inlet Pressure (P)	14.5 ~ 226.2psi
Variable Pressure Range	0 ~ 21.7psi
Inlet Connection	POL Handle
Outlet Connection	Rc 1/2
Pressure Gauge	Max Scale 0.2MPa Φ50

RD33



Specification

Model	RD33
Capacity (Q)	33kg/h
Inlet Pressure (P)	14.5 ~ 226.2psi
Variable Pressure Range	0 ~ 21.7psi
Inlet Connection	1/2" High Pressure Flange
Outlet Connection	1/2" High Pressure Flange
Dimension (mm)	L=215±5

RD70



Specification

Model	RD70
Capacity (Q)	70kg/h
Inlet Pressure (P)	14.5 ~ 226.2psi
Variable Pressure Range	0 ~ 21.7psi
Inlet Connection	3/4" High Pressure Flange
Outlet Connection	3/4" High Pressure Flange
Dimension (mm)	L=300±5

RD120



Specification

Model	RD120
Capacity (Q)	120kg/h
Inlet Pressure (P)	14.5 ~ 226.2psi
Variable Pressure Range	0 ~ 21.7psi
Inlet Connection	1" High Pressure Flange
Outlet Connection	1" High Pressure Flange
Dimension (mm)	L=390±5

RD200



Specification

Model	RD200
Capacity (Q)	200kg/h
Inlet Pressure (P)	14.5 ~ 226.2psi
Variable Pressure Range	0 ~ 21.7psi
Inlet Connection	1" High Pressure Flange
Outlet Connection	1" High Pressure Flange
Dimension (mm)	L=390±5

Integrated Type Automatic Changer-Over

RH8B



RH8BK



RH8N-H



RH8N-S



RH8A



RH10



RH10ZC



Specification

Model	RH8B	RH8BK	RH8N-H	RH8N-S	RH8A	RH10	RH10ZC
Capacity (Q)	8kg/h	8kg/h	8kg/h	8kg/h	8kg/h	10kg/h	10kg/h
Inlet Pressure (P)	21.7~226.2psi	21.7~226.2psi	21.7~226.2psi	21.7~226.2psi	21.7~226.2psi	21.7~226.2psi	21.7~226.2psi
Set Pressure (R)	0.4psi	0.4psi	0.4psi	0.4psi	0.4psi	0.4psi	0.4psi
Outlet Pressure	0.3psi~0.47psi	0.3psi~0.47psi	0.3psi~0.47psi	0.3psi~0.47psi	0.3psi~0.47psi	0.3psi~0.47psi	0.3psi~0.47psi
Max Blockage Pressure	Bellow 0.5psi	Bellow 0.5psi	Bellow 0.5psi	Bellow 0.5psi	Bellow 0.5psi	Bellow 0.5psi	Bellow 0.5psi
Inlet Connection	Rc 2/4	Rc 1/4	POL Handle/Rc 1/4	POL Wrench/Rc 1/4	Rc 1/4	Rc 1/4	POL Wrench
Outlet Connection	1/2B Union	Rc 1/2 w/inspection hole Screw Gas Stp	Rc 1/2	Rc 1/2	1/2B Union	1/2B Union	Rc 3/4 w/inspection hole Screw Gas Stp

Regulators

First Stage
Variable Pressure type

Regulators

Integrated Type
Automatic Change-Over

Regulators

Automatic Change-Over
Signal Transmitter
Automatic Change-Over

RF15U
RF15AU



■ Specification

Model	RF15U	RF15AU
Capacity (Q)	15kg/h	
Inlet Pressure (P)	14.5 ~ 226.2psi	
Set Pressure (R)	0.4 psi	
Outlet Pressure	0.36 ~ 0.47 psi	
Max Blockage Pressure	Below 0.5 psi	
Output Signal	No Voltage a Connection	
Durability	2000 times	
Connection	1/2B High Pressure Flange	
Outlet Connection	3/4B Union	
Dimension (mm)	L1=168±5	L2=148±5

RF15F
RF15AF



■ Specification

Model	RF15F	RF15AF
Capacity (Q)	15kg/h	
Inlet Pressure (P)	14.5 ~ 226.2psi	
Set Pressure (R)	0.4 psi	
Outlet Pressure	0.36 ~ 0.47 psi	
Max Blockage Pressure	Below 0.5 psi	
Output Signal	No Voltage a Connection	
Durability	2000 times	
Connection	1/2B High Pressure Flange	
Outlet Connection	3/4B Union	
Dimension (mm)	L1=240±5	L2=148±5

RF21
RF21A



■ Specification

Model	RF21	RF21A
Capacity (Q)	20kg/h	
Inlet Pressure (P)	14.5 ~ 226.2psi	
Set Pressure (R)	0.4 psi	
Outlet Pressure	0.36 ~ 0.47 psi	
Max Blockage Pressure	Below 0.5 psi	
Output Signal	No Voltage a Connection	
Durability	2000 times	
Connection	1/2B High Pressure Flange	
Outlet Connection	3/4B Union	
Dimension (mm)	L1=188±5	L2=148±5

RF33
RF33A



■ Specification

Model	RF33	RF33A
Capacity (Q)	30kg/h	
Inlet Pressure (P)	14.5 ~ 226.2psi	
Set Pressure (R)	0.4 psi	
Outlet Pressure	0.36 ~ 0.47 psi	
Max Blockage Pressure	Below 0.5 psi	
Output Signal	No Voltage a Connection	
Durability	2000 times	
Connection	1/2B High Pressure Flange	
Outlet Connection	1B Union	
Dimension (mm)	L1=188±5	L2=342±5

RF50



■ Specification

Model	RF50
Capacity (Q)	50kg/h
Inlet Pressure (P)	14.5 ~ 226.2psi
Set Pressure (R)	0.4 psi
Outlet Pressure	0.36 ~ 0.47 psi
Max Blockage Pressure	Below 0.5 psi
Connection	1/2B High Pressure Flange
Outlet Connection	1 1/4B Union
Dimension (mm)	L1=330±5 L2=549±5

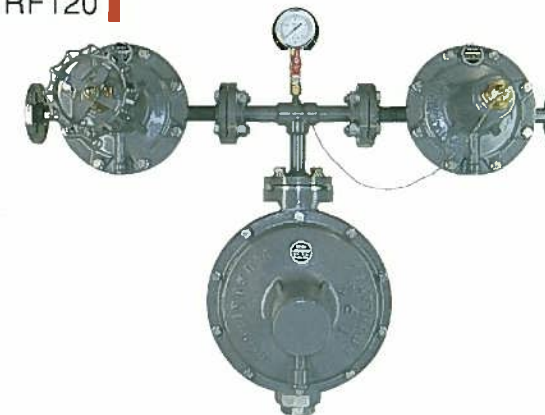
RF71



■ Specification

Model	RF71
Capacity (Q)	70kg/h
Inlet Pressure (P)	14.5 ~ 226.2psi
Set Pressure (R)	0.4 psi
Outlet Pressure	0.36 ~ 0.47 psi
Max Blockage Pressure	Below 0.5 psi
Inlet Connection	3/4B High Pressure Flange
Outlet Connection	1 1/4B Union
Dimension (mm)	L1=330±5 L2=549±5

RF120



■ Specification

Model	RF120
Capacity (Q)	120kg/h
Inlet Pressure (P)	14.5 ~ 226.2psi
Set Pressure (R)	0.4 psi
Outlet Pressure	0.36 ~ 0.47 psi
Max Blockage Pressure	Below 0.5 psi
Inlet Connection	1B High Pressure Flange
Outlet Connection	2B Union
Dimension (mm)	L1=1065±5 L2=567±5

RF200



■ Specification

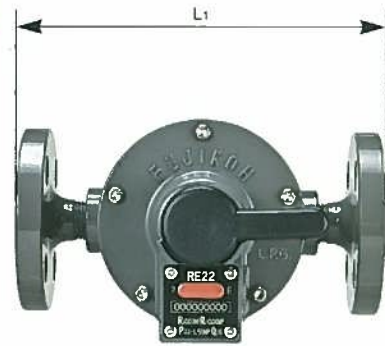
Model	RF200
Capacity (Q)	200kg/h
Inlet Pressure (P)	14.5 ~ 226.2psi
Set Pressure (R)	0.4 psi
Outlet Pressure	0.36 ~ 0.47 psi
Max Blockage Pressure	Below 0.5 psi
Inlet Connection	1B High Pressure Flange
Outlet Connection	2B Union
Dimension (mm)	L1=965±5 L2=642±5

Regulators

Automatic Change-Over

Separate Type Automatic Change-Over Regulator

RE22
RE22B



Specification

Model	RE22	RE22B
Capacity (Q)	20kg/h	
Inlet Pressure (P)	14.5 ~ 226.2 psi	29 ~ 226.2 psi
Outlet Pressure (R)	4.6 ~ 12 psi	13 ~ 23.2 psi
Max Blockage Pressure	Below 13.7 psi	Below 24.6 psi
Inlet Connection	15A High Pressure Flange	
Outlet Connection	Rc 1/2	
Dimension (mm)	L=188±5	
With Output Signal	RE22A	RE22BA

RE33
RE33B



Specification

Model	RE33	RE33B
Capacity (Q)	33kg/h	
Inlet Pressure (P)	14.5 ~ 226.2 psi	29 ~ 226.2 psi
Outlet Pressure (R)	4.6 ~ 12 psi	13 ~ 23.2 psi
Max Blockage Pressure	Below 13.7 psi	Below 24.6 psi
Inlet Connection	15A High Pressure Flange	
Outlet Connection	Rc 1/2	
Dimension (mm)	L=188±5	
With Output Signal	RE33A	RE33BA

RE50
RE50B



Specification

Model	RE50	RE50B
Capacity (Q)	50kg/h	
Inlet Pressure (P)	14.5 ~ 226.2 psi	29 ~ 226.2 psi
Outlet Pressure (R)	4.6 ~ 12 psi	13 ~ 23.2 psi
Max Blockage Pressure	Below 13.7 psi	Below 24.6 psi
Inlet Connection	15A High Pressure Flange	
Outlet Connection	Rc 3/4	
Dimension (mm)	L=330±5	

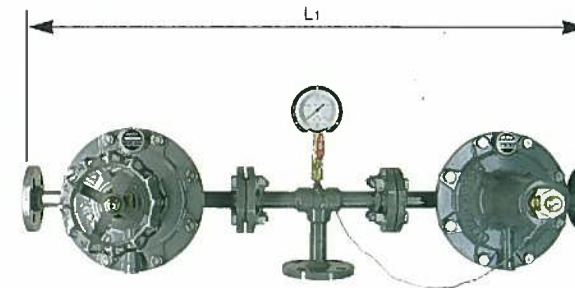
RE71
RE71B



Specification

Model	RE71	RE71B
Capacity (Q)	70kg/h	
Inlet Pressure (P)	14.5 ~ 226.2 psi	29 ~ 226.2 psi
Outlet Pressure (R)	4.6 ~ 12 psi	13 ~ 23.2 psi
Max Blockage Pressure	Below 13.7 psi	Below 24.6 psi
Inlet Connection	20A High Pressure Flange	
Outlet Connection	Rc 3/4	
Dimension (mm)	L=330±5	

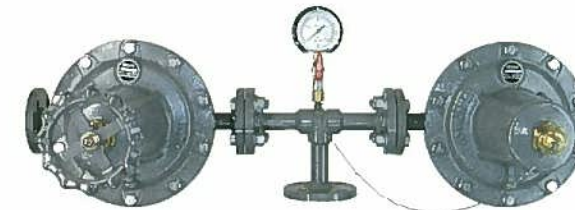
RE120



Specification

Model	RE120
Capacity (Q)	120kg/h
Inlet Pressure (P)	14.5 ~ 226.2psi
Outlet Pressure	4.6 ~ 12 psi
Max Blockage Pressure	Below 13.7psi
Inlet Connection	1øHigh pressure Flange
Outlet Connection	1/2øHigh pressure Flange
Dimension (mm)	L=1065±5

RE200

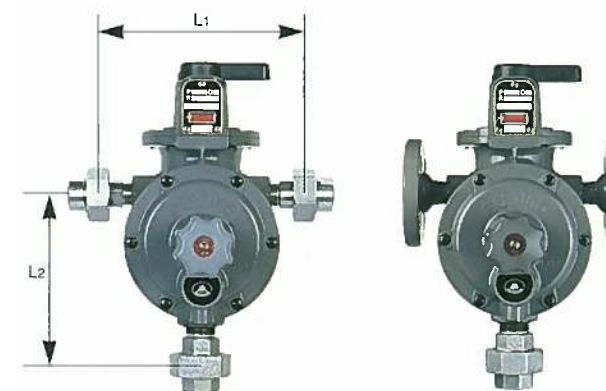


Specification

Model	RE200
Capacity (Q)	200kg/h
Inlet Pressure (P)	14.5 ~ 226.2psi
Outlet Pressure	4.6 ~ 12 psi
Max Blockage Pressure	Below 13.7psi
Inlet Connection	1øHigh pressure Flange
Outlet Connection	1/2øHigh pressure Flange
Dimension (mm)	L=955±5

Variable Type Automatic Change-Over Regulator

RF15VU RF15VF



Specification

Model	RF15VU	RF15VF
Capacity (Q)	15kg/h	
Inlet Pressure (P)	14.5 ~ 226.2psi	
Variable Pressure Range	0.47 ~ 1.74psi	
Inlet Connection	1/2B High Pres Union	1/2B High Pres Flange
Outlet Connection	3/4ø Union	
Dimension (mm)	L1=168±5	L1=240±5
	L2=148±5	L2=148±5

RF21V

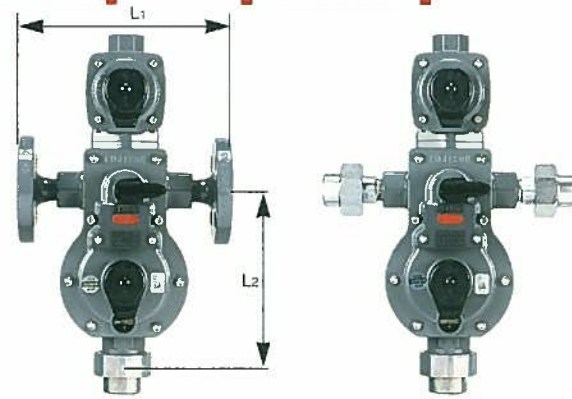


Specification

Model	RF21V
Capacity (Q)	20kg/h
Inlet Pressure (P)	14.5 ~ 226.2psi
Variable Pressure Range	0.47 ~ 1.74psi
Inlet Connection	1/2ø High Pres. Union
Outlet Connection	3/4ø Union
Dimension (mm)	L1=188±5 L2=148±5

Leakage Detector Type/ Signal Transmitter with Leakage Detector Type

RH10R RH10RU
RH10AR RH10ARU



仕様

型式	RH10R (U)	RH10AR (U)
容量 (Q)	10kg/h	
入口圧力 (P)	0.15~1.56MPa	
出口圧力	2.55~3.30kPa	
最大閉塞圧力	3.5kPa以下	
親調整器作動開始流量	0.4±0.38kg/h	
子調整器最大流量	0.5kg/h以下	
出力信号	無電圧a接点	
耐久性	2000回	
入口接続	15A高圧フランジ(ユニオン)	
出口接続(親)	Rc 3/4	
(子)	Rc 1/2	
寸法(mm)	L1=188±5 L2=152.5 L1=168±5 L2=152.5 (U)	

RH20R
RH20AR



仕様

型式	RH20R	RH20AR
容量 (Q)	20kg/h	
入口圧力 (P)	0.10~1.56MPa	
出口圧力	2.55~3.30kPa	
最大閉塞圧力	3.5kPa以下	
親調整器作動開始流量	0.4±0.38kg/h	
子調整器最大流量	0.5kg/h以下	
出力信号	無電圧a接点	
耐久性	2000回	
入口接続	15A高圧フランジ	
出口接続(親)	1Bユニオン	
(子)	Rc 1/2	
寸法(mm)	L1=188±5 L2=328±5	

RH30R
RH30AR



仕様

型式	RH30R	RH30AR
容量 (Q)	30kg/h	
入口圧力 (P)	0.10~1.56MPa	
出口圧力	2.55~3.30kPa	
最大閉塞圧力	3.5kPa以下	
親調整器作動開始流量	0.4±0.38kg/h	
子調整器最大流量	0.5kg/h以下	
出力信号	無電圧a接点	
耐久性	2000回	
入口接続	15A高圧フランジ	
出口接続(親)	1Bユニオン	
(子)	Rc 1/2	
寸法(mm)	L1=188±5 L2=412±5	

RF50R



仕様

型式	RF50R
容量 (Q)	50kg/h
入口圧力 (P)	0.10~1.56MPa
出口圧力	2.55~3.30kPa
最大閉塞圧力	3.5kPa以下
親調整器作動開始流量	0.4±0.38kg/h
子調整器最大流量	0.5kg/h以下
耐久性	2000回
入口接続	15A高圧フランジ
出口接続(親)	1 1/4Bユニオン
(子)	Rc 1/2
寸法(mm)	L1=330±5 L2=576±5

Normal Type Gas Manifolds

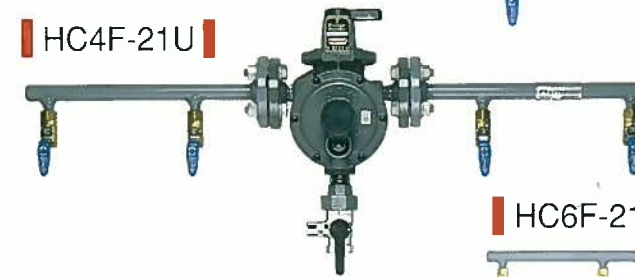
HC4P-10



HC4U-15U



HC4F-21U



HC6F-21U



仕様

型式	HC4P-10	HC4U-15U	HC4F-21U	HC6F-21U
容量 (Q)	10kg/h	15kg/h	20kg/h	20kg/h
入口圧力 (P)	0.15~1.56MPa	0.10~1.56MPa	0.10~1.56MPa	0.10~1.56MPa
出口圧力	2.55~3.30kPa	2.55~3.30kPa	2.55~3.30kPa	2.55~3.30kPa
最大閉塞圧力	3.5kPa以下	3.5kPa以下	3.5kPa以下	3.5kPa以下
調整器入口接続	POLスバナ	15A高圧ユニオン	15A高圧フランジ	15A高圧フランジ
出口接続	3/4B検査孔付ねじガス栓	3/4B検査孔付ユニオンボール弁	3/4B検査孔付ユニオンボール弁	3/4B検査孔付ユニオンボール弁
標準寸法 (mm)	836	828	852	1252

HC8F-21U



HC8F-33U



HC10F-21U



HC10F-33U



仕様

型式	HC8F-21U	HC8F-33U	HC10F-21U	HC10F-33U
容量 (Q)	20kg/h	33kg/h	20kg/h	33kg/h
入口圧力 (P)	0.10~1.56MPa	0.10~1.56MPa	0.10~1.56MPa	0.10~1.56MPa
出口圧力	2.55~3.30kPa	2.55~3.30kPa	2.55~3.30kPa	2.55~3.30kPa
最大閉塞圧力	3.5kPa以下	3.5kPa以下	3.5kPa以下	3.5kPa以下
調整器入口接続	15A高圧フランジ	15A高圧フランジ	15A高圧フランジ	15A高圧フランジ
出口接続	3/4B検査孔付ユニオンボール弁	1Bユニオンボール弁	3/4B検査孔付ユニオンボール弁	1Bユニオンボール弁
標準寸法 (mm)	1652	1652	2052	2052

調整器

漏洩検知式
発信機能付漏洩検知式

集合装置

標準型

ON-OFFヒューズガス栓

[ホース口自在]

- CB73F CB74F CB75F CB76F CB70FL CB70FR



[本体自在]

- CB63F CB65F PL-6FO PL-8FO



仕様

使用ガス	LPガス
流量	1口 15kW(1.1kg/h)以上
ヒューズ作動流量	1.8kg/h±10%
入口接続	Rc 1/2
出口接続	ホース口 or コンセント口
適用器具	消費量15kW(1.1kg/h)以下の移動式燃焼器具
材質	亜鉛合金

ガスコンセント

フレキ配管用 [壁埋込型]

金属プレート [床埋込型]

- SG506B-15C SG702D-15 SG700D-15 SG801B-10



仕様

型式	SG506B-15C	SG702D-15	SG700D-15	SG801B-10
流量	15kW(1.1kg/h)		15kW(1.1kg/h)	
用途	壁埋込型		床埋込型	
入口接続	Rc 1/2		Rc 1/2	
出口接続	コンセント		コンセント	

ヒューズボックスガス栓

- FV-554A FV-556A



仕様

型式	FV-554A	FV-556A
流量	15kW(1.1kg/h)	
用途	壁埋込用	床埋込用
入口接続	Rc 1/2	
出口接続	コンセント	

ねじガス栓

ねじボール弁

- CA15 CA20 CT15H~20H CT15~25 CT32~50



可とう管ガス栓 (防滴型)

検査孔付可とう管ガス栓 (防滴型)

- CF15 CF15L CF15K・J CF15LK・LJ



仕様

分類	ねじガス栓		ねじボール弁								可とう管ガス栓 (防滴型)				検査孔付可とう管ガス栓 (防滴型)				
型式	CA15	CA20	CT15H	CT20H	CT15	CT20	CT25	CT32	CT40	CT50	CF15	CF15L	CF15K・J	CF15LK・LJ	CF15	CF15L	CF15K・J	CF15LK・LJ	
接続	Rc1/2	Rc3/4	Rc1/2	Rc3/4	Rc1/2	Rc3/4	Rc1	Rc1 1/4	Rc1 1/2	Rc2	Rc1/2	Rc1/2	Rc1/2	Rc1/2	Rc1/2	Rc1/2	Rc1/2	Rc1/2	Rc1/2
流量	12kW(9.0kg/h)	21kW(15.0kg/h)	12kW(9.0kg/h)	21kW(15.0kg/h)	12kW(9.0kg/h)	21kW(15.0kg/h)	27kW(19.5kg/h)	41kW(29.5kg/h)	60kW(43.5kg/h)	80kW(57.5kg/h)	42kW(30.0kg/h)	42kW(30.0kg/h)	42kW(30.0kg/h)	42kW(30.0kg/h)	42kW(30.0kg/h)	42kW(30.0kg/h)	42kW(30.0kg/h)	42kW(30.0kg/h)	
回転耐久試験	1,000回										10,000回								

検査孔付機器接続ガス栓 (出口自在)

- CF15UI CF15BT



仕様

型式	CF15UI (防滴型)	CF15BT
入口接続	Rc 1/2	Rc 1/2
出口接続	Rc 1/2	R 1/2
流量 (kg/h)	42Kw (3.0kg/h)	42Kw (3.0kg/h)
回転耐久試験	10,000回	10,000回

検査孔付ねじガス栓

- CA15K CA20K CU15K CU20C



仕様

型式	CA15K	CA20K	CU15K	CU20C
接続	Rc 1/2	Rc 3/4	(M35x2) X Rc1/2	(M35x2) X Rc3/4
流量	126Kw (9.0kg/h)	210Kw (15.0kg/h)	126Kw (9.0kg/h)	210Kw (15.0kg/h)
回転耐久試験	1,000回			

Gas Manifold High Pressure Hose

- LSH-S/H



仕様

型式	LSH6-S	LSH6-H	LSH10-S	LSH10-H
入口接続	POL スパナ締	POL ハンドル締	POL スパナ締	POL ハンドル締
出口接続	R 1/4		R 1/4	
長さ (mm)	650		1050	

Gas Emission Prevention Type High Pressure Hose

- LSP-S/H



仕様

型式	LSP6-S	LSP6-H	LSP10-S	LSP10-H
作動方式	張力式		張力式	
リセット方式	手動方式		手動方式	
入口接続	POL スパナ締	POL ハンドル締	POL スパナ締	POL ハンドル締
出口接続	R 1/4		R 1/4	
長さ (mm)	650		1050	

Liquid Blockage Prevention Connection Type High Pressure Hose

- LYC5-S/H・LYC7-S/H・LYC12-S/H



仕様

型式	LYC5-S	LYC7-S	LYC12-S	LYC5-H	LYC7-H	LYC12-H
入口接続	POL スパナ締			POL ハンドル締		
出口接続	POL 内ねじ					
長さ (mm)	550	750	1200	550	750	1200

- LYA66-S/H



仕様

型式	LYA66-S	LYA66-H
入口接続	POL スパナ締	POL ハンドル締
出口接続	POL 内ねじ	
長さ (mm)	500 + 600	

By Pass Tube High Pressure Hose

- LSB6-S/H



仕様

型式	LSB6-S	LSB6-H
入口接続	POL スパナ締	POL ハンドル締
出口接続	POL 内ねじ	
長さ (mm)	650	

With Joint Fitting Low Pressure Hose Large sized Bore Low Pressure Hose

- LSO4F・LSO6F・LSO9F



仕様

型式	LSO4F	LSO6F	LSO9F
接続	R 1/2 X R 1/2 (自在)		
内径	φ 10		
長さ (mm)	450	600	900

- LL6・LL9



仕様

型式	LL6	LL9
接続	R 3/4 X R 3/4 (自在)	
内径	φ 19	
長さ (mm)	600	900